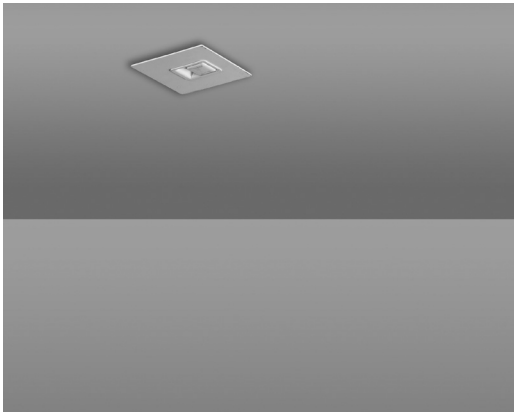


# Skyhook Retractable Lighting Support

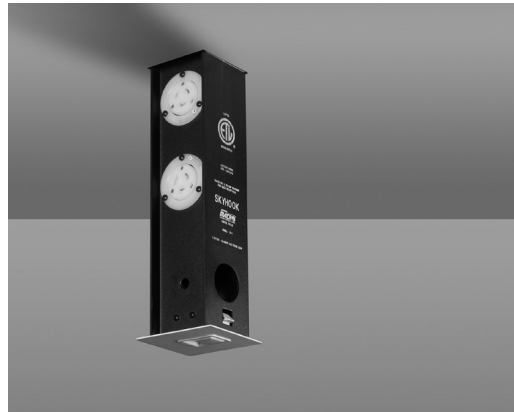
Leviton Skyhook is a unique retractable lighting support device designed specifically for mounting entertainment lighting fixtures required in multi-purpose architectural spaces. Built into the ceiling, the Skyhook offers an attractive alternative to installing unsightly, permanently visible lighting equipment in finished ceiling areas. When presentation lighting is required in a multi-purpose space for special events such as banquets, weddings, or business meetings, the Skyhook provides an aesthetic, yet practical solution.

## APPLICATIONS

- Ballrooms
- Houses of Worship
- Lobbies
- Any multi-purpose architectural space occasionally requiring special presentation lighting



1. Retracted - Ready for use.



2. Lower



3. Slide



4. Hang

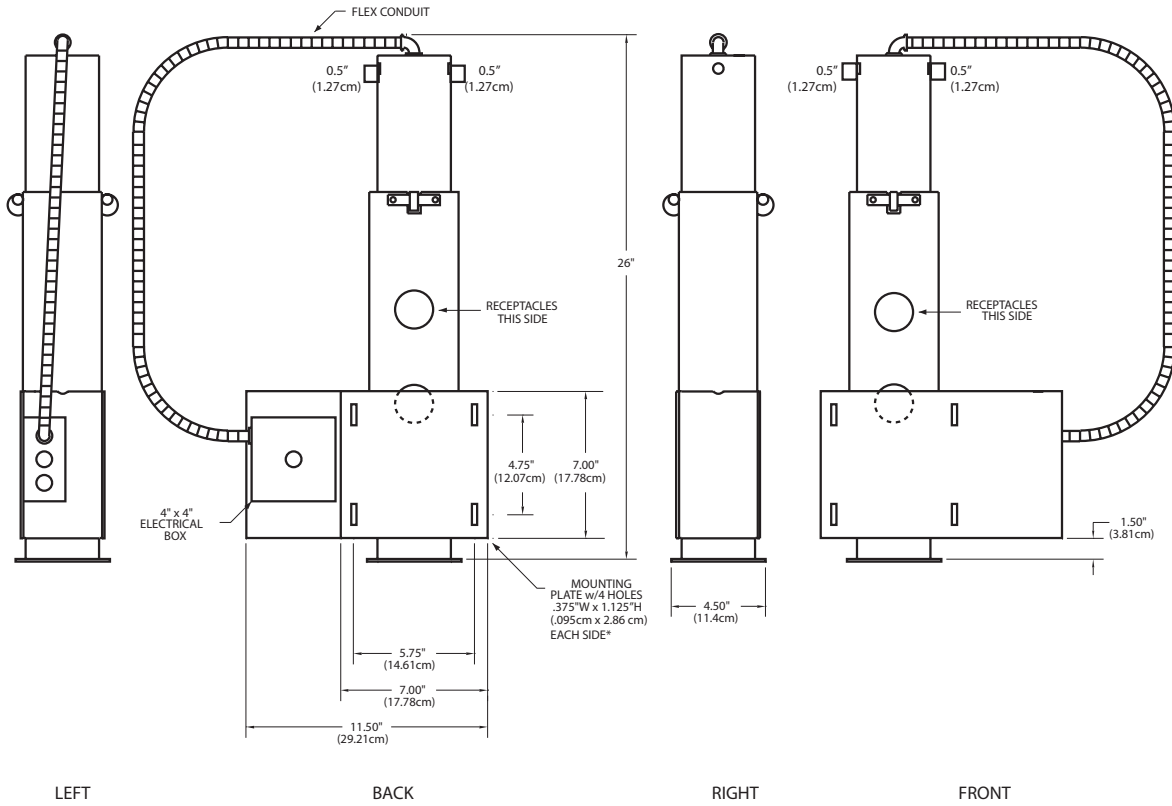
When special presentation lighting is required for an event, the Skyhook is lowered, the pipe is installed, and lighting instruments are attached. Power and data (audio and video optional) are then connected directly into the side of the lowered Skyhook for quick and easy control of lighting fixtures. When the event is over, the lighting instruments and other equipment can be removed and the Skyhook disappears out of sight.

## Leviton Mfg. Co., Inc. Lighting and Energy Solutions

20497 SW Teton Avenue, Tualatin, OR 97062 1-800-736-6682 Tech Line: 1-800-959-6004 Fax: 503-404-5594 [www.leviton.com/les](http://www.leviton.com/les)  
 © 2013 Leviton Manufacturing Co., Inc. All rights reserved. Subject to change without notice.

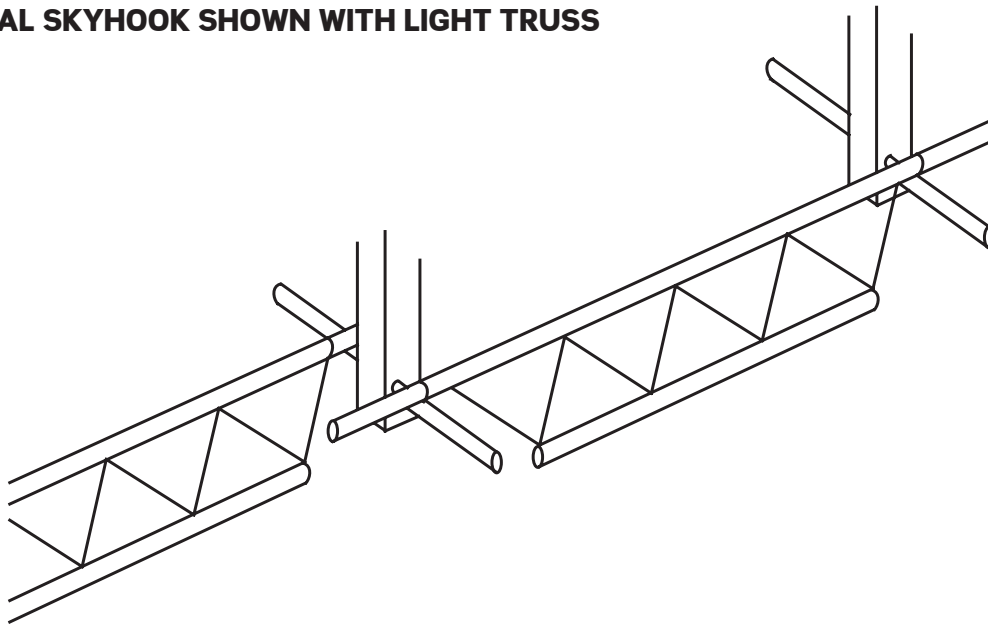
# PRODUCT SPECIFICATIONS

## RETRACTABLE LIGHTING CONFIGURATION

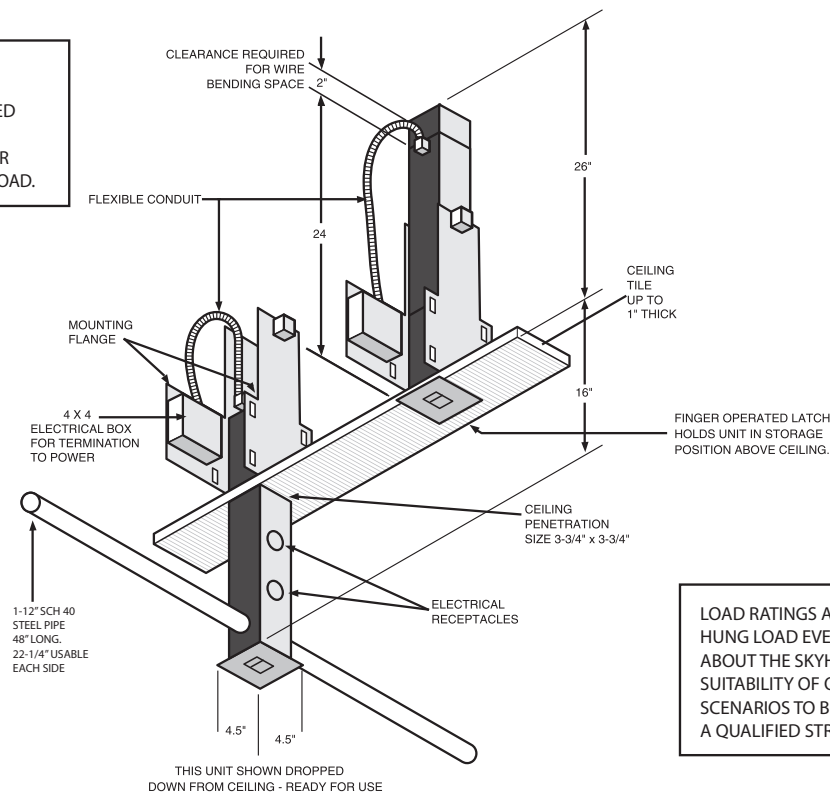


\*Secure to structure on both sides per direction of your structural engineer

## TYPICAL SKYHOOK SHOWN WITH LIGHT TRUSS



MOUNTING METHOD AND REQUIREMENTS TO BE DETERMINED BY A QUALIFIED STRUCTURAL ENGINEER. STRUCTURE TO BE RATED FOR A MAXIMUM 1,500 POUND LOAD.



LOAD RATINGS ARE FOR A DEAD HUNG LOAD EVENLY DISTRIBUTED ABOUT THE SKYHOOK ITSELF. SUITABILITY OF OTHER LOAD SCENARIOS TO BE DETERMINED BY A QUALIFIED STRUCTURAL ENGINEER.

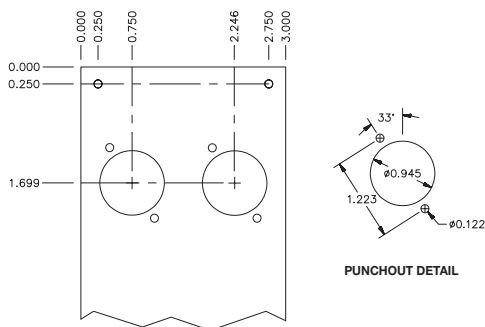
Skyhook comes with up to four power receptacles (two on the front and two on the back of the pull down column) ready to power lights suspended on the cross pipe. These receptacles may be 20A PBG, 20A Grounded Stage Pin, or 20A Locking Receptacles. They can be individually fed by four circuits, grouped on two circuits, or grouped onto a single circuit. Receptacles for overseas installations can be field fitted with receptacles common to the country of destination.

By removing one power receptacle, a low voltage section can be mounted in its place to provide two low voltage connectors for video or audio signals. Users can then hang video monitors, speakers and/or automated devices from the Skyhook mounting pipe.

### FEATURES

- 1-4 power receptacles
- Up to (2) data receptacles (need to eliminate 1 power receptacle position to employ this option)
- 20A PBG (Edison), 20A Grounded Stage Pin, or 20A Locking (L5-20R) Power Receptacle types supported in standard or configured product
- Optional DMX termination switch
- Data receptacle options: 5 or 3-pin XLR DMX Input, 5 or 3-pin XLR DMX Output, Remote Focus, & Luma-Net data receptacles standard - others custom
- XLR punch-out option for user installed connectors - often used for audio connectors to connect a powered or speaker
- 1,000 pounds maximum weight with a tested yield strength of over 10,000 pounds
- ETL Listed File #501517

NOTE: Structural attachment means and stability to be determined and evaluated by a qualified structural engineer.



USER INSTALLED AUDIO RECEPTACLE LOCATION DETAIL

### Leviton Mfg. Co., Inc. Lighting & Energy Solutions

20497 SW Teton Avenue, Tualatin, OR 97062 1-800-736-6682 Tech Line: 1-800-959-6004 Fax: 503-404-5594 www.leviton.com/les  
 © 2013 Leviton Manufacturing Co., Inc. All rights reserved. Subject to change without notice.

**ORDERING INFORMATION**

The following chart represents Leviton’s standard Skyhook product offering. Custom options are available to fit almost any need. Contact your local Leviton sales representative for additional information about available configurations.

CAT. NO.	DESCRIPTION
<b>SKYHOOKS WITH POWER RECEPTACLES ONLY</b>	
SH000-000	Skyhook with no pre-installed receptacles, User may install receptacles at their discretion
SH000-020	Skyhook with (2) 20A PBG (Edison) receptacles
SH000-030	Skyhook with (3) 20A PBG (Edison) receptacles
SH000-040	Skyhook with (4) 20A PBG (Edison) receptacles
SH000-400	Skyhook with (4) 20A grounded stage pin receptacles
SH000-004	Skyhook with (4) 20A locking (L5-20R) receptacles
<b>SKYHOOKS WITH POWER &amp; DATA RECEPTACLES</b>	
SHD00-020	Skyhook with (2) 20A PBG receptacles & (1) 5-pin DMX output
SHDIS-030	Skyhook with (3) 20A PBG receptacles, (1) 5-pin DMX output & (1) 5-pin DMX input
SHD00-210	Skyhook with (1) 20A PBG receptacle, (1) 5-pin DMX output & (2) 20A grounded stage pin receptacles
SHDIS-003	Skyhook with (3) 20A locking (L5-20R) receptacles, (1) 5-pin DMX output & (1) 5-pin DMX input
<b>CUSTOM SKYHOOK AND SKYHOOKS FOR USER INSTALLED RECEPTACLES</b>	
SHD00-000	Skyhook with blank receptacle panels for up to (3) user-installed receptacles & (1) 5-pin DMX output receptacle
SHDIS-000	Skyhook with blank receptacle panels for up to (3) user-installed receptacles & (1) 5-pin DMX input & output receptacle
SH00C-0HD	Configured skyhook product, Specify options and consult factory for price
<b>SKYHOOKS WITH POWER RECEPTACLES AND USER SUPPLIED CONNECTORS</b>	
SHxx0-000	Skyhook with (2) XLR Punch Outs for User Installed XLR Audio/Video/Data Receptacles and (3) locations for optional customer installed power receptacles
SHxx0-020	Skyhook with (2) 20A PBG (Edison) receptacles and XLR punch-out for (2) user installed receptacles
SHxx0-030	Skyhook with (3) 20A PBG (Edison) receptacles and XLR punch-out for (2) user installed receptacles

Skyhook

**Leviton Mfg. Co., Inc. Lighting & Energy Solutions**

20497 SW Teton Avenue, Tualatin, OR 97062 • 1-800-736-6682 • Fax: 503-404-5594 • Tech Line (6:00AM-4:00PM P.S.T. Mon-Fri): 1-800-959-6004

**Leviton Manufacturing Co., Inc. Global Headquarters**

201 N. Service Rd. Melville, NY 11747-3138 • Tech Line: 1-800-824-3005 • Fax: 1-800-832-9538

**Leviton Manufacturing of Canada, Ltd.**

165 Hymus Boulevard, Pointe Claire, Quebec H9R 1E9 • Telephone: 1-800-469-7890 • FAX: 1-800-563-1853

**Leviton S. de R.L. de C.V.**

Lago Tana 43, Mexico DF, Mexico CP 11290 • Tel. (+52) 55-5082-1040 • FAX: (+52) 5386-1797 • www.leviton.com.mx

**Visit our Website at: [www.leviton.com/les](http://www.leviton.com/les)**

© 2013 Leviton Manufacturing Co., Inc. All rights reserved. Subject to change without notice..