

NorthStar™ Site Controller



With enclosure



Without enclosure

DESCRIPTION

The Leviton NorthStar™ Outdoor Lighting Control System is specifically designed and built for the unique needs of outdoor illuminated environments. The NorthStar Site Controller enables scheduling, configuration, geolocation, control and coordination of a robust wireless mesh network. The Site Controller features Wi-Fi and wired Ethernet for configuration with a wireless SNAP radio communication to the network of Fixture Controllers.

APPLICATIONS

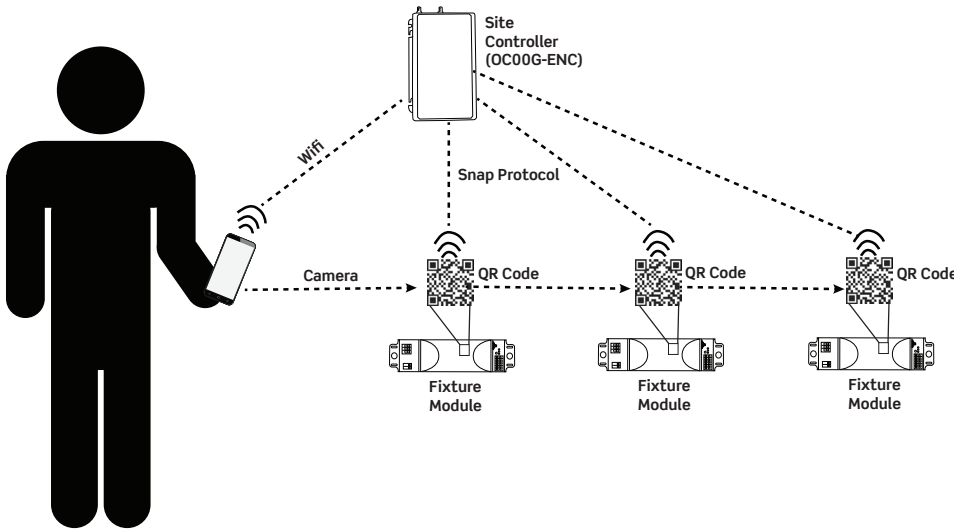
- Parking lots
- Parking garages
- Landscape lighting
- Outdoor sports court lighting
- Dimming LED lighting

FEATURES

- SNAP wireless system with a self-healing mesh network (IEEE 802.15.4, 2.4GHz)
- Meets energy code requirements for ASHRAE 90.1 and California Title 24
- IP67 enclosure option
- 500 nodes per gateway, 1,000 nodes per site with up to 5 gateways in parent/slave configuration
- Requires link to at least 1 Fixture Controller
- Wi-Fi Ethernet connection
- Hardware 10/100 Base T connection
- Future Verizon 3G CDMA cellular connection
- Suitable for switching and 0-10V dimming load types
- Energy usage and lamp failure reporting
- One mile max line-of-sight distance enhances the range and reliability of the network with repeating modes that eliminate the need to configure specific routes
- Automatic geolocation and identification of fixture modules with a smart phone or tablet during provisioning process
- Web browser commissioning
- Simple behavior based programming
- Advanced control sequences
- Scheduler
- Web browser end-user control

PRODUCT DATA

PROVISIONING



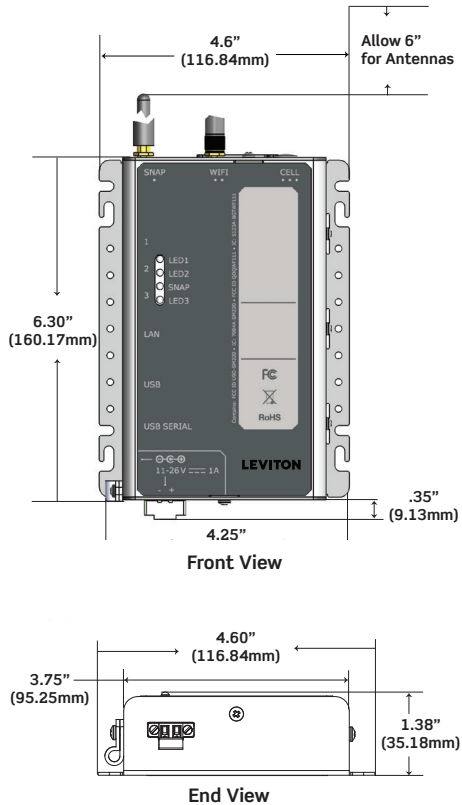
PROVISIONING

Use the Leviton Provisioning App for Android smart devices to identify and locate the fixture modules in the NorthStar Outdoor Lighting System. Simply scan the QR Code on the Fixture Module at the point of installation using the GPS feature on your tablet or smart device. Give the Fixture Module a name, and the software will automatically geolocate the Fixture Module. This automated process significantly expedites the installation process and simplifies system management. Manual address entry is also available.

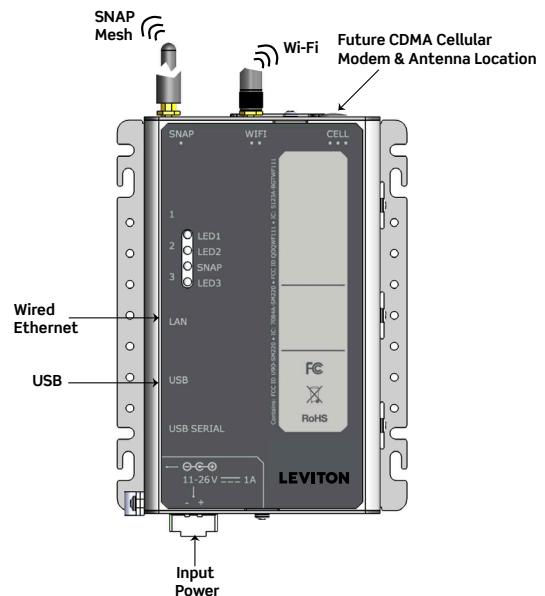
COMMISSIONING

Commissioning is performed through the NorthStar Site Controller using any web browser and the Controller's Wi-Fi access point or a wired Ethernet network.

DIMENSIONS DIAGRAM

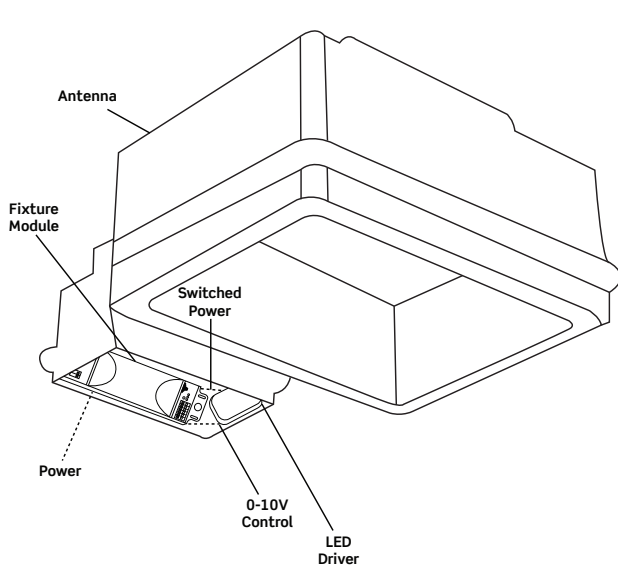


FEATURES DIAGRAM

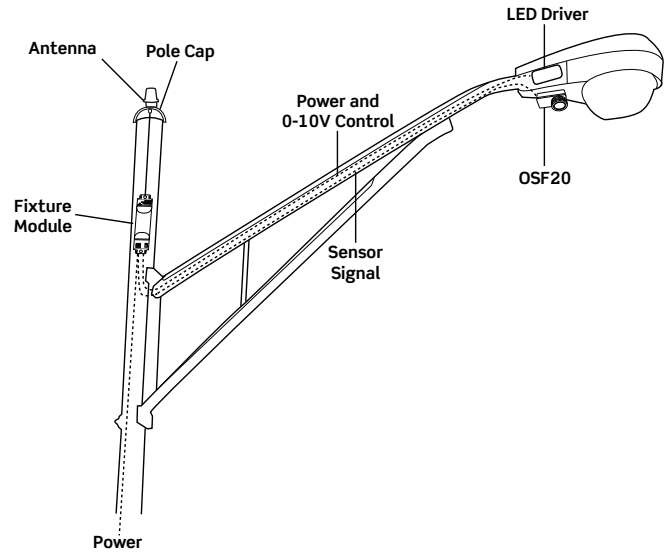


INSTALLATION DIAGRAMS

Other mounting options available based on application



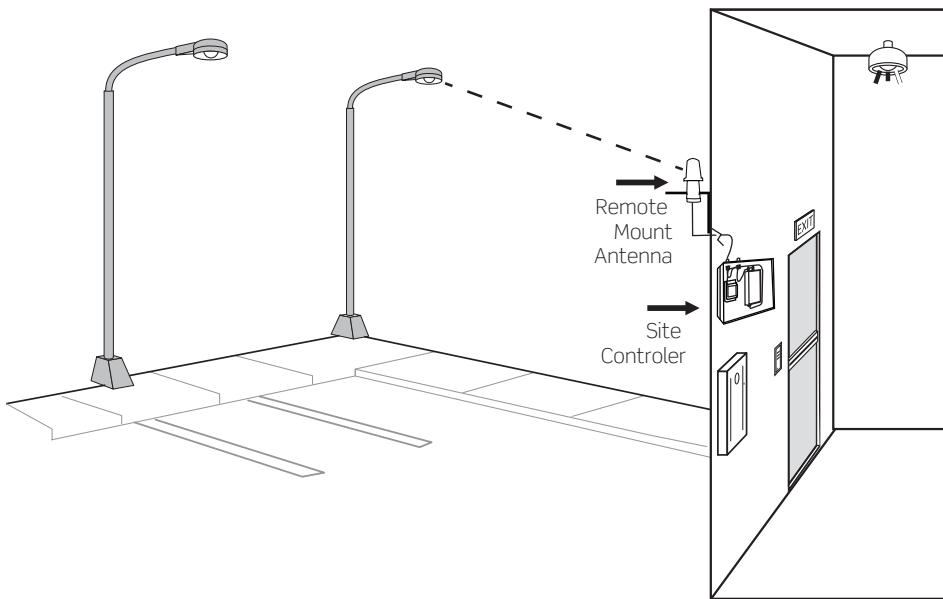
In fixture



In light pole

REMOTE INSTALLATION DIAGRAM

Add a remote cable and antenna to Site Controller for mounting outside of a building



Inside building

SPECIFICATIONS

ELECTRICAL	
Input Voltage (Site Controller)	+12-24VDC, 1.1-0.5mA
Input Voltage (Enclosure)	100-277VAC 50/60Hz
Connectivity	Wi-Fi (802.11 b/g/n), Wired 10/1000 Base T Ethernet, SNAP Radio for communication to Fixture Control Modules
ENVIRONMENTAL	
Temperature Range	-40 to 158°F(-40 to 70°C)
PHYSICAL	
Dimensions	6.30" (160.17mm) H x 4.6" (116.84mm) W x 1.38" (35.18mm) D
OTHER	
Rating	IP65 rating for antennas and enclosure
Listings	Meets energy code requirements for ASHRAE 90.1 and California Title 24

ORDERING INFORMATION

CAT. NO.	DESCRIPTION
OC00G-00G	Northstar Site Controller, includes 3dBi antennas and power supply, for indoor use only
OC00G-ENC	Enclosure for Northstar Site Controller, IP65 rated enclosure, includes externally mounted 3dBi antennas and internal power supply. Site Controller must be purchased separately and with field installation.

ACCESSORIES

CAT. NO.	DESCRIPTION
OCAEX-024	2ft 200 Series Coax Male RPSMA to Male NTYPE Antenna Extension Cable
OCAEX-048	4ft 200 Series Coax Male RPSMA to Male NTYPE Antenna Extension Cable
OCAEX-120	10ft 200 Series Coax Male RPSMA to Male NTYPE Antenna Extension Cable
OCAEX-240	20ft 400 Series Coax Male RPSMA to Male NTYPE Antenna Extension Cable
OCAEX-360	30ft 400 Series Coax Male RPSMA to Male NTYPE Antenna Extension Cable
OCANT-MPA	2.4GHz 3dBi omnidirectional exterior rated antenna for Northstar Systems, type N connector
OCANT-MPP	2.4GHz 3dBi omnidirectional exterior rated antenna with 8" pigtail for Northstar Systems, RP-SMA connector

NorthStar™ Site Controller

Leviton Manufacturing Co., Inc. Energy Management, Controls and Automation

20497 SW Teton Avenue, Tualatin, OR 97062 **tel** 800-736-6682 **fax** 503-404-5594 **tech line** (6:00AM-4:00PM PT Mon-Fri) 800-959-6004

Leviton Manufacturing Co., Inc. Global Headquarters

201 North Service Road, Melville, NY 11747-3138 **tel** 800-323-8920 **fax** 800-832-9538 **tech line** (8:30AM-7:00PM ET Mon-Fri) 800-824-3005

Visit our Website at: www.leviton.com/northstar

©2017 Leviton Manufacturing Co., Inc. All rights reserved. Subject to change without notice.